

HD Explosion-Proof Dome Camera



KEDACOM

Quick Start Guide

Contents

1	Preface	2
2	Safety Instruction	2
3	Wiring	3
3.1	Wires	3
3.2	Wire Connection.....	3
3.2.1	Use Explosion-Proof Flexible Conduit.....	3
3.2.2	Use Armored Cable.....	4
4	Bracket Installation	5
4.1	Wall Mount.....	5
4.2	Pendent Mount.....	7

1 Preface

Thank you for purchasing our product. If there are any questions, or requests, please do not hesitate to contact us. Every effort has been made to ensure the accuracy and validity of this Guide. Any update of this Guide is subject to change without notice.

For the latest version of file, please contact the dealer.

2 Safety Instruction

The intention of writing this Guide is to ensure that user can use the product correctly to avoid danger or property loss. Please read this Guide carefully before using, and keep it properly for future reference. If the product cannot work normally or is damaged because the user does not follow the safety instructions, you should take the responsibility. Your cooperation will be highly appreciated.

- Please use the attached power adaptor; otherwise the device may be damaged.
- Any problem of the device during using, please contact our local service center in time.
- Never attempt to disassemble or repair the product by yourself in any way; otherwise the device may cause accident.
- Do not drop any object onto the device or subject it to any physical shock.
- Do not expose the camera in the environment not defined in this Guide.
- Do not use the device in dusty environment (protection level should be above IP68); otherwise the electronic or mechanical components may be damaged.
- Avoid metal filing dropping inside the device; otherwise it may cause short circuit or malfunction.
- When the camera is damaged or defective, stop installing or using it; otherwise it may cause accident.
- The device can only be electrified when the installation is finished. After it is electrified, never attempt to open the camera; otherwise it may cause explosion.
- Keep the camera away from water or any liquid. Do not touch the power switch with wet hand; otherwise it may cause electric shock hazard.
- If the camera fails to work normally, examine the cause first and then reconnect the power supply; otherwise it may cause accident.

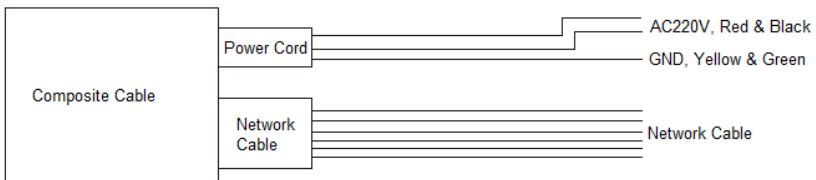
- This is a surveillance product used in special environment and the tag on the body shows “No Hot Open”, which means the power must be cut off before opening the housing; otherwise it may cause explosion.
- Device maintenance and component replacement must be done by professionals. Before operation, take off watch and ring or other metal objects and use insulating tools; otherwise it may cause electric shock hazard or casualty.
- During maintenance, please make the explosion-proof side of the camera well protected; otherwise the explosion-proof side could be damaged which further will affect its explosion-proof performance.
- While shipping the camera, pack it in the factory packing or use materials with equivalent quality.

Working Conditions

Item	Specification
Pressure	80Kpa ~ 106Kpa
Temperature	-40°C ~ +60°C (Note: If selecting the heater, the lower limit could be -40°C)
Humidity	No more than 95% (+25°C)
Environment	Applicable to occasions with corrosive, explosive gas and oil gas. Keep away from steam, drip and vibration. Avoid salty environment. Places without sharp drop in temperature which further may result in dew or ice.
Vibration	Less than 5.9 m/s ² (0.6G)

3 Wiring

3.1 Wires

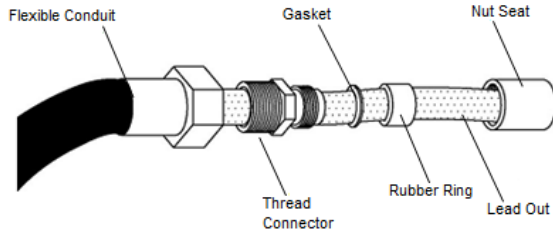


Picture 3-1 Wires

3.2 Wire Connection

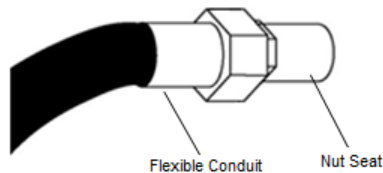
3.2.1 Use Explosion-Proof Flexible Conduit

- 1) Firstly, take down the gland nut; then put the explosion-proof flexible conduit through the cable. Take down the filling cable and lead it through the gland nut; then screw up the double-end gland nut and then the explosion-proof flexible conduit into the thread end of the gland nut.



Picture 3-2 Explosion-proof flexible conduit

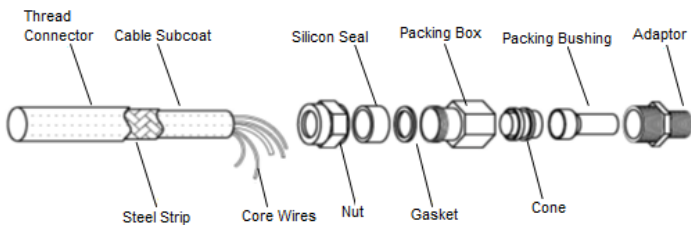
- 2) Tighten the thread connector first and then the explosion-proof flexible conduit.



Picture 3-3 Explosion-proof flexible conduit

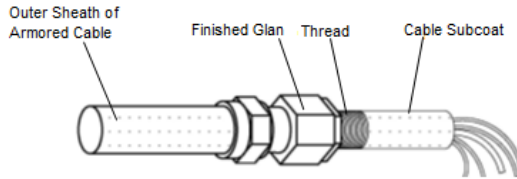
3.2.2 Use Armored Cable

- 1) Strip off a certain length of cable coat to expose the metal armor (steel strip). Reserve some steel strip and cut off the other part, as shown below.



Picture 3-4 Armored cable

- 2) Install the explosion-proof gland onto the armored cable, as shown below.



Picture 3-5 Explosion-proof Glan

- 3) Armored cable with explosion-proof glan can be connected to any kind of explosion-proof devices directly.

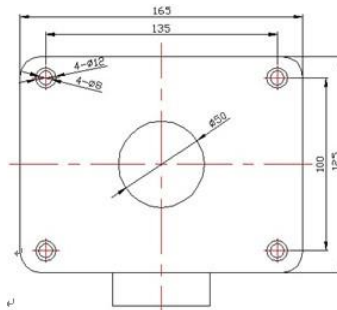
4 Bracket Installation

4.1 Wall Mount

Check the environment to ensure that:

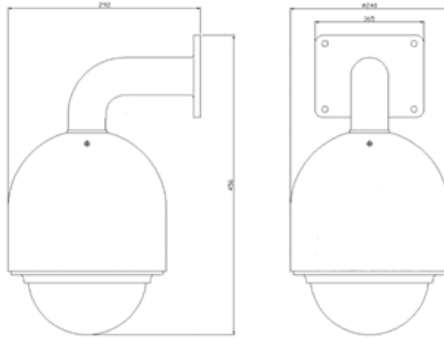
- The wall is thick enough for M8 screws;
- The wall is firm enough to bear weight as heavy as 8 times of the total weight of the camera and the accessories.

Dimensions of wall mount bracket:



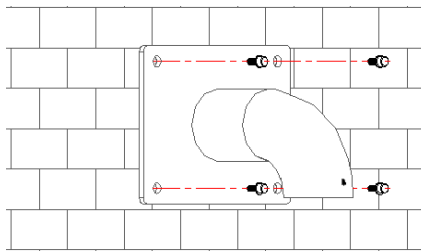
Picture 4-1 Dimensions of wall mount bracket

The dimensions and diagram after finishing installation:



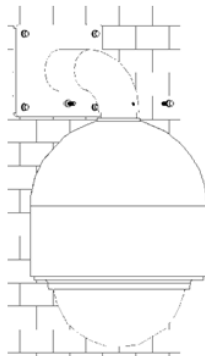
Picture 4-2 Dimensions and diagram after installation

- 1) Drill 4 holes on the wall for the M8 screws and tighten the screws. Fix the bracket onto the wall, as shown below.



Picture 4-3 Tighten M8 screws

- 2) Mount the camera onto the bracket, as shown below.



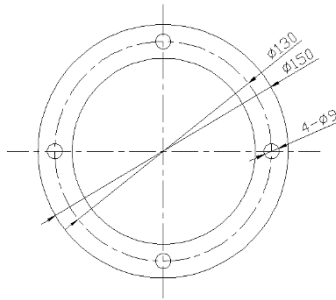
Picture 4-4 Install camera

4.2 Pendant Mount

Check the environment to ensure that:

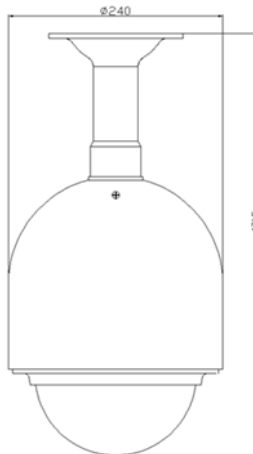
- The wall is thick enough for M8 screws;
- The wall is firm enough to bear weight as heavy as 8 times of the total weight of the camera and the accessories.

Dimensions of pendant mount bracket:



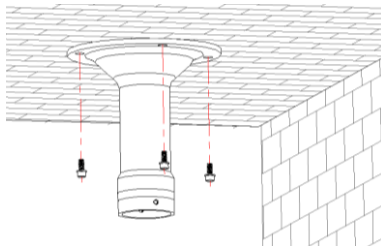
Picture 4-5 Dimensions of pendant mount bracket

Dimensions and diagram after installation, as shown below.



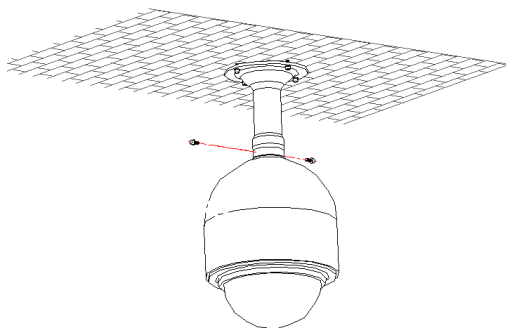
Picture 4-6 Dimensions and diagram after installation

- 1) Drill 4 holes on the wall for the M8 screws and tighten the screws. Fix the bracket onto the roof, as shown below.



Picture 4-7 Tighten the M8 screws

- 2) Mount the camera onto the bracket, as shown below.



Picture 4-8 Install camera

Kedacom Two (2) Year Limited Hardware Warranty

WHAT IS COVERED BY THIS WARRANTY?

Kedacom warrants the Kedacom-branded hardware product and accessories contained in the original packaging (hereinafter referred to as "Kedacom Product") against defects in materials and workmanship when used normally in accordance with Kedacom's published guidelines for a period of TWO (2) YEARS from the date of original retail purchase in areas other than mainland China by the end-user purchaser (hereinafter referred to as "Warranty Period"). For the Kedacom Product purchased in mainland China, see the simplified Chinese version of this warranty for details. Kedacom's published guidelines include but are not limited to information contained in technical specifications, user guides, and service communications.

The preceding applies unless otherwise agreed in the contract.

WHAT IS NOT COVERED BY THIS WARRANTY?

This warranty does not apply to any non-Kedacom branded hardware products or any software, even if packaged or sold with Kedacom hardware. Manufacturers, suppliers, or publishers, other than Kedacom, may provide their own warranties to you but Kedacom, in so far as permitted by law, provides their products "AS IS". Software distributed by Kedacom with or without the Kedacom brand (including, but not limited to system software) is not covered by this warranty. Please refer to the licensing agreement accompanying the software for details of your rights with respect to its use. Kedacom does not warrant that the operation of the Kedacom Product will be uninterrupted or error-free. Kedacom is not responsible for damage arising from failures to follow instructions relating to the Kedacom Product's use.

This warranty does not apply: (a) to consumable parts, such as batteries, unless failure has occurred due to a defect in materials or workmanship; (b) to cosmetic damage, including but not limited to scratches, dents, and broken plastic on ports; (c) to damage caused by use with another product; (d) to damage caused by acts outside the control of Kedacom, including without limitation acts of God, accidents, abuse, misuse, fire, storms, earthquakes, flood, or other external cause; (e) to damage caused by exposure of the product to heat, bright light, sun, liquids, sand, or other contaminants; (f) to damage caused by operating the Kedacom Product outside Kedacom's published guidelines; (g) to damage caused by service (including upgrades and expansions) performed by anyone other than a representative of Kedacom, Kedacom employee, or authorized Kedacom agent; (h) to an Kedacom Product that has been modified to alter functionality or capability without the written permission of Kedacom; (i) to defects caused by normal wear and tear or otherwise due to the normal aging of the Kedacom Product, or (j) if any serial number has been removed or defaced from the Kedacom Product.

YOUR RESPONSIBILITIES

If your Kedacom product is capable of storing data and other information, you should make periodic backup copies of the information contained on the storage media to protect the contents and as a precaution against possible operational failures.

Before receiving warranty service, Kedacom or its authorized agents may require that you furnish proof of purchase details, respond to questions designed to assist with diagnosing potential issues, and follow Kedacom's procedures for obtaining warranty service. Before submitting your Kedacom Product for warranty service, you should maintain a separate backup copy of the contents of its storage media, remove all personal information that you want to protect, and disable all security passwords.

During warranty service, it is possible that the contents of the Kedacom product's storage media will be lost, replaced or reformatted. In such an event, Kedacom and its authorized agents are not responsible for any loss of data or other information contained on the storage media or any other part of the Kedacom product serviced.

Following warranty service, your Kedacom Product or a replacement product will be returned to you as your Kedacom Product was configured when originally purchased, subject to applicable updates. You will be responsible for reinstalling all other data and information. Recovery and reinstallation of other data and information are not covered under this warranty.

WHAT WILL KEDACOM DO IF THE WARRANTY IS BREACHED?

If during the Warranty Period, you submit a valid claim to Kedacom or an authorized Kedacom agent, Kedacom will, at its option, (i) repair the Kedacom Product using new or previously used parts that are equivalent to new in performance and reliability, or (ii) exchange the Kedacom Product for a refund of your purchase price.

A Kedacom replacement part or product, including a user-installable Kedacom part that has been installed in accordance with instructions provided by Kedacom, assumes the remaining warranty of the Kedacom Product or ninety (90) days from the date of replacement or repair, whichever provides longer coverage for you. When a product or part is replaced or a refund provided, any replacement item becomes your property and the replaced or refunded item becomes Kedacom's property.

Kedacom reserves the right to refund the purchase price as its exclusive warranty remedy.

HOW TO OBTAIN WARRANTY SERVICE?

To seek warranty service, please contact a local authorized Kedacom agent. When contacting the agent via telephone, other charges may apply depending on your location.

User Information

Complete the form below and keep for ready reference.

User Name:	
Address:	Postal Code:
Tel:	Mobile:
Fax:	E-Mail:
Product Name:	Product Model:
Date of Purchase:	